



Jayhawk Engineering
Company

TravelBot

University of Kansas



Warren Bower, Husain Karimi, Paul Negedu, Sayif Khan

ABSTRACT

TravelBot makes commute easier. It autonomously follows users. It informs the users of mishandling/theft and tracks the location of your luggage. Users can interface with TravelBot via a web app. User Interface(UI) with control is hosted locally. UI without control is hosted on firebase.

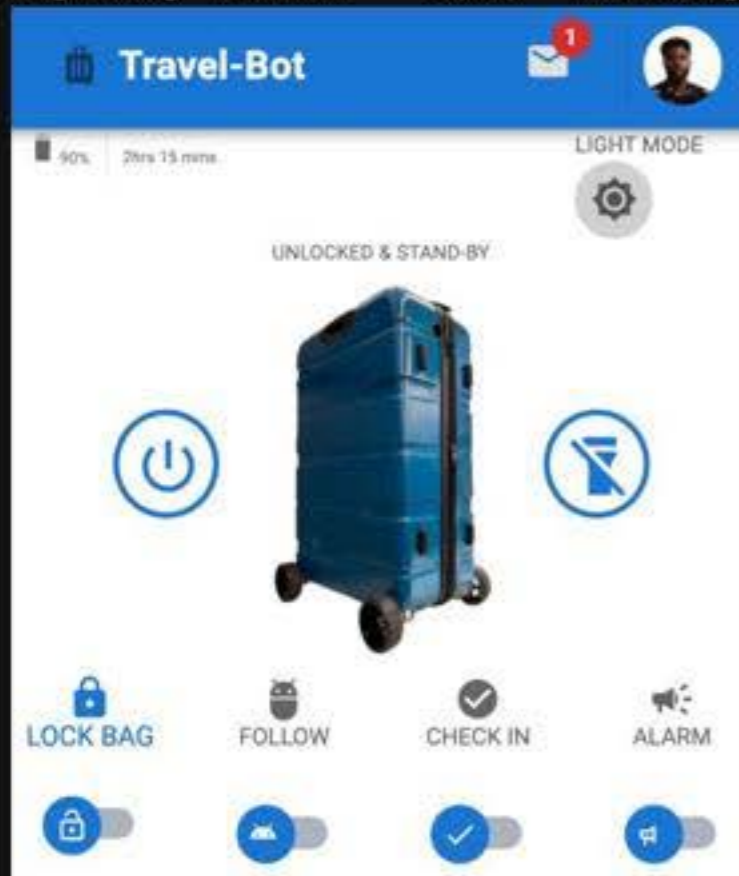
USER INTERFACE

JavaScript
JS
Programming

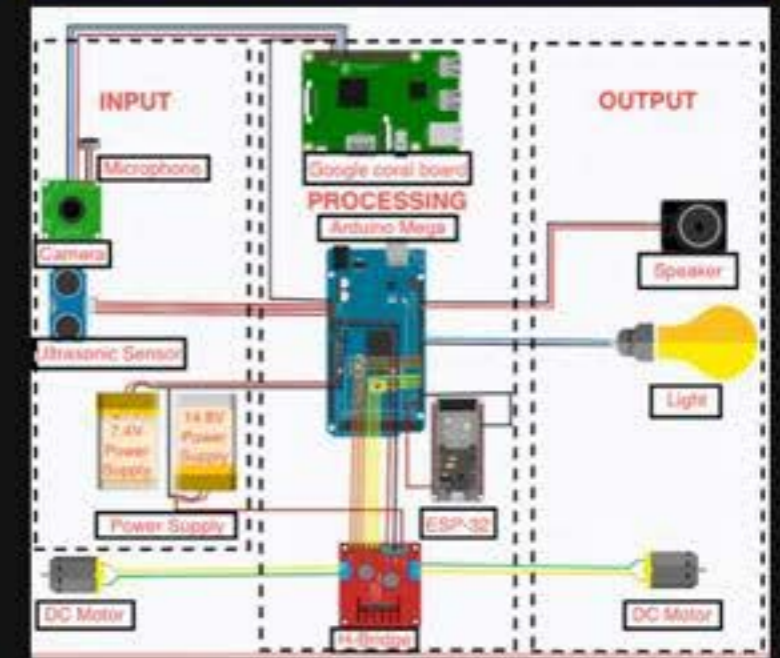
ReactJS
framework

Material UI
Styling

Firebase
Web-Hosting



BLOCK DIAGRAM



TEAM



PROJECT DESCRIPTION

TravelBot follows the user at a distance of 1/2 meter with a max speed of 30 mph. There's a weight limitation of 50 lbs. All components are inside the suitcase to prevent damage. TravelBot has an average battery life of 3 hours.

Python
Computer Vision

TensorFlow
Machine Learning

C++
Helper Libraries

Arduino
Microcontroller

Golang
Web Server

Fritzing
Schematic

